

# CHANDLER MODEL PT - FSS TANDEM AXLE PULL – TYPE FERTILIZER SPREADERS



**Model PT – 10 FSS Fertilizer Spreader**  
(shown with All Press Wheel Drive)

## **PT-10 FSS**

- 154 Cu. Ft. Capacity  
(6 Tons based on 65 # Per Cu. Ft. Material)
- 7,000# Torsion Axles
- 12.5L x 15 Tires (standard)
- Available in  
409 Stainless & 304 Stainless Steel  
Hopper Construction

## **PT-12 FSS**

- 185 Cu. Ft. Capacity  
(6 Tons based on 65 # Per Cu. Ft. Material)
- 7,000# Torsion Axles
- 14L x 16.1 Tires (standard)
- Available in  
409 Stainless & 304 Stainless Steel  
Hopper Construction



**Model PT – 12 FSS Fertilizer Spreader**

**Leading the industry for over 50 – Years as the # 1 manufacturer  
of Fertilizer & Lime Spreaders**

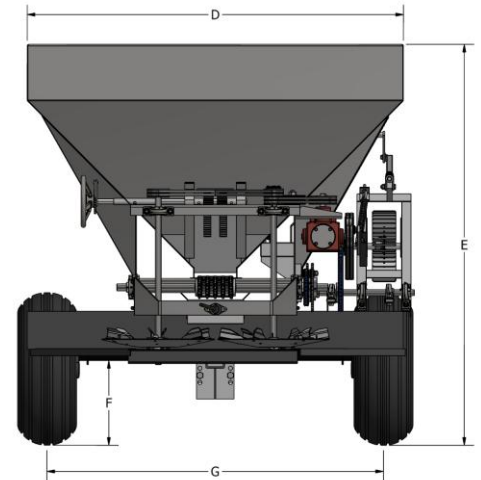
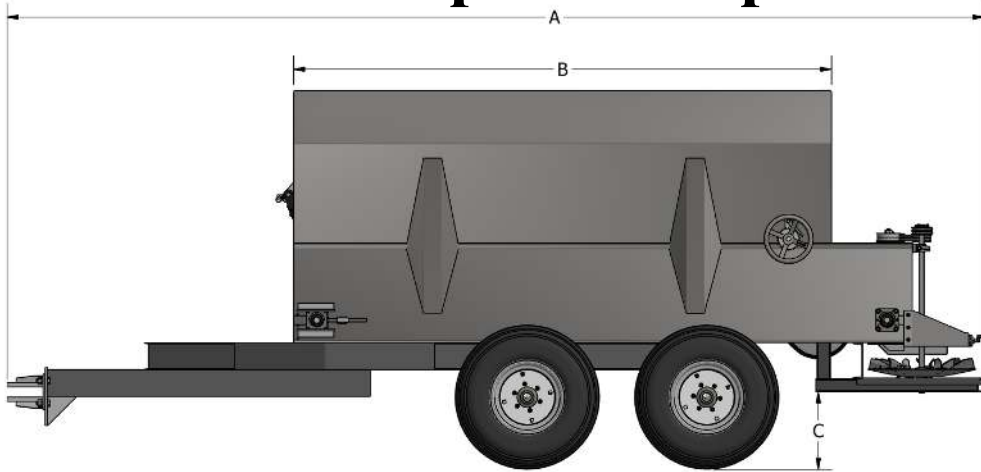
**Candler Equipment Co.**

Gainesville, Georgia 30503

Toll Free 1-800-243-3319

[www.chandlerspreaders.com](http://www.chandlerspreaders.com)

# “Spreader Specifications”



	<u>PT-10 FSS</u>	<u>PT-12 FSS</u>
A) Total Length	218" (18' 2")	218" (18' 2")
B) Hopper Length	120" (10')	120" (10')
C) Clearance at Spread Shield	17 1/4"	19 5/16"
D) Hopper Width	80" (6' 8")	80" (6' 8")
E) Total Height	85" (7' 1")	91" (7' 7")
F) Axle Clearance	18" (1' 6")	20" (1' 8")
G) Wheel Track	72" (6')	72" (6")
H) Tire Size	12.5L x 15	14L x 16.1
I) Spreader Weight	3470 #	3660 #

## Frame & Suspension:

Axle: 7,000 # rigid axle, with 6 bolt hubs and spindles

Frame: Heavy Duty 7" Channel, with heavy duty adjustable clevis type hitch and 12,000 # jack

## Conveyor Specifications:

Conveyor Type: 8" - 1" x 1" Heavy Duty Mesh Type 304 Stainless Steel Chain

Conveyor Drive: Conveyor is press wheel driven with a 16 – 6.5 x 8 (Optional - 20.5 – 8 x 10 Tire.)

## Spinner Specifications:

Spinner Design: Twin “Dished Type” spinners, 24” diameter with 6 blades per spinner, specially designed for extremely accurate broadcasting of materials.

## Material Divider:

Material divider is specially designed and adjustable for proper placement of material onto spinners for maximum accuracy in spread patterns. Material divider and adjustment screw are both manufactured from 304 Stainless Steel.

## Metering Gate:

Rack and Pinion metering gate has quick adjust hand wheel and gate lock system for easy adjustment. The gate, gate slides, shaft and hanger brackets are manufactured from 304 stainless steel.

## Spinner Options:

- Hydraulic Drive Spinners (requires a minimum 16 GPM from Tractor Hydraulic System)
- 1000 – RPM PTO (in lieu of 540 – RPM)
- Stainless Steel Spinners and Blades
- Heat Treat Blades
- Stainless Steel Spinner Assembly: Spinners, Blades, Shafts, Hubs and Spread Shield

## Conveyor Options:

- Steel Cleated Press Wheel
- Stainless Steel Roller Chain
- Hydraulic Drive – Plug to Tractor (requires control system)
- Self – Contained Hydraulic System (connects by PTO to Tractor)
- Inverted “V”

## Options:

- 10,000 # Axles with 16.5L x 16.1 Tires
- Agri-Cover SRT2 Roll Tarp Assembly

# Chandler Equipment Co.

Gainesville, Georgia 30503

Toll Free 1-800-243-3319

[www.chandlerspreaders.com](http://www.chandlerspreaders.com)