

CHANDLER MODEL ATL - FSS ROW CROP PULL – TYPE FERTILIZER SPREADER



- Overall Length 216" (18')
- Overall Height 114" (9' 5")
- Hopper Width 96" (8')
- Hopper Length 120" (10')
- 250 Cu. Ft. Capacity
(8 Tons based on 65 # Per Cu. Ft. Material)
- 380/90R-46
- Adjustable Axle from 72" to 120"
- 35" Axle Clearance
- Available in
409 Stainless & 304 Stainless Steel
Hopper Construction

Options:

- Hydraulic Drive Spinners (requires a minimum 16 GPM from Tractor Hydraulic System)
- 540 / 1000 – RPM PTO Setup
- Stainless Steel Spinners and Blades
- Stainless Steel Spinner Assembly: Spinners, Blades, Shafts, Hubs and Spread Shield
- Stainless Steel Roller Chain
- Tail Light Kit
- Roll Tarp Assembly – with 304 stainless steel end caps
- Hydraulic Drive – Plug to Tractor (requires control system)
- Variable Rate Control Systems Raven Industries



**Leading the industry for over 50 years as the # 1 manufacturer
of Fertilizer Spreaders**

Candler Equipment Co.

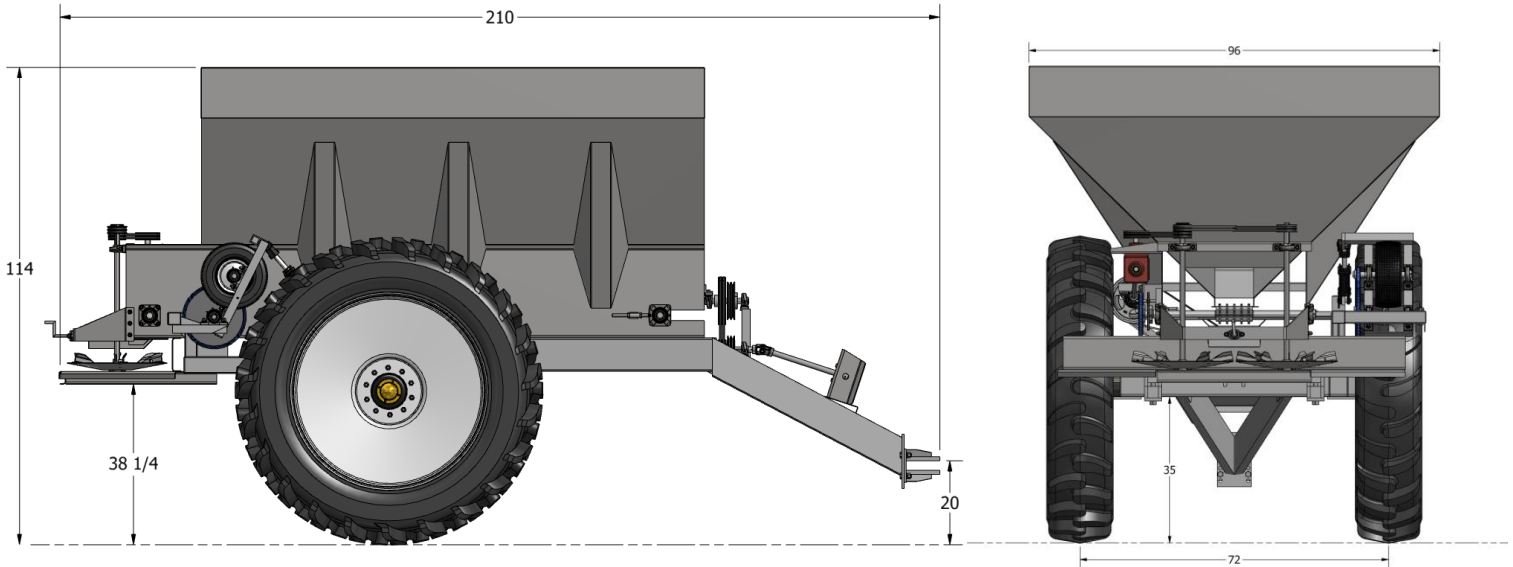
Gainesville, Georgia 30503

Toll Free 1-800-243-3319

www.chandlerequipment.net

“Spreader Specifications”

Model ATL – FSS Row Crop Fertilizer Spreader



Frame & Suspension:

Axle: Adjustable Axle (72” – 120” Track), with 10 bolt hubs and spindles

Frame: Heavy Duty 8”x 2” Tubing, with heavy duty adjustable clevis type hitch and 12,000 # jack

Tires: 380/90R-46 Row Crop

Conveyor Specifications:

Conveyor Type: 1” x 1” Heavy Duty type 304 stainless steel 8” – wide (Standard)

Conveyor Drive: Conveyor is press wheel driven with a 16 – 8 x 10 Tire.

Spinner Specifications:

Spinner Design: Twin “Dished Type” spinners, 24” diameter with 6 blades per spinner, specially designed for extremely accurate broadcasting of materials.

Material Divider:

Material divider is specially designed and adjustable for proper placement of material onto spinners for maximum accuracy in spread patterns. Material divider and adjustment screw are both manufactured from 304

Metering Gate:

Rack and Pinion metering gate has quick adjust hand wheel and gate lock system for easy adjustment. The gate, gate slides, shaft and hanger brackets are manufactured from 304 stainless steel.

“Spinner Assembly”



540 / 1000 RPM PTO Drive
on Spinners (Optional)



PTO Drive Spinners (Standard)

“Conveyor Drive Assembly”



Hydraulic Drive Assembly
(Optional)



Press Wheel Drive Assembly
w/ Cylinder Engagement

Chandler Equipment Co.

Gainesville, Georgia 30503

Toll Free 1-800-243-3319

www.chandlerequipment.net